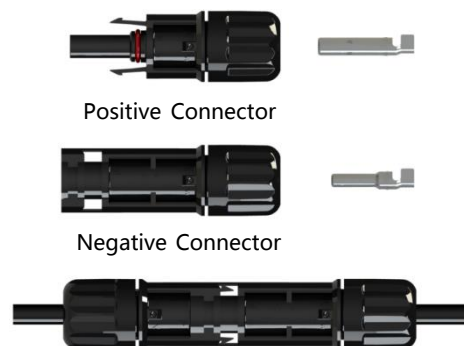


## TS4 Connector Overview

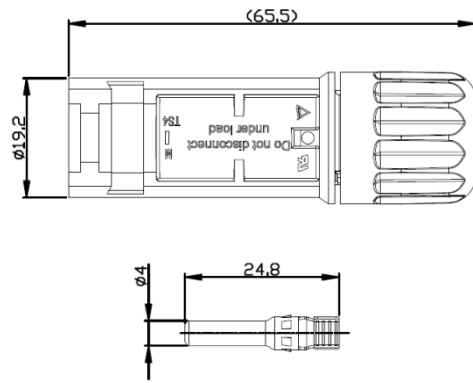
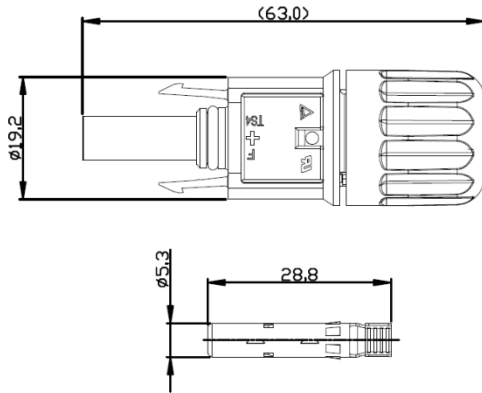
- Use of high quality materials that guarantee long-term reliability
- Lower contact resistance and higher current transfer capability ensure high product efficiency
- TS4 connectors have IP68 water-proof rating and can be used in a wide operating temperature range from -40 °C to 85 °C



## TS4 Connector Specifications

Rated voltage	IEC 1500V&UL 1500V
Rated current @IEC ( 85°C )	41A ( 4.0mm <sup>2</sup> / 12AWG ) 46A ( 6.0mm <sup>2</sup> / 10AWG ) 55A ( 10.0mm <sup>2</sup> / 8AWG )
Rated impulse voltage	16KV
Ambient temperature range	-40°C~+85°C
Contact resistance	≤0. 5mΩ
Application degree	Class A
Protection class	Class II
Pollution degree	2
Degree of protection	IP68 ( 1m , 1h ) , mated IP2X , unmated
Flame class	UL94-V0
Insulation material	m-PPE/PA
Contact material	Copper, Tin-plated
Type of termination	Crimping
Locking system(UL)	Locking type
TÜV, IEC62852	R50369705/R50385924
UL, UL6703	E486009

## Dimensional Drawing (mm)



## Product Overview

Type	P/N	Cable OD	Conductor Cross Section	
		mm	mm <sup>2</sup>	AWG
TS4-F1	70930042	4.7-6.0	4.0/6.0	12/10
TS4-M1	70930041			
TS4-F2	70930085	5.6-6.8		
TS4-M2	70930084			
TS4-F3	70900351	6.0-6.6		
TS4-M3	70900350			
TS4-F4	70930044	6.0-7.2	10.0	8
TS4-M4	70930043			
TS4-F5	70930048	7.2-8.7		
TS4-M5	70930045			
TS4-F6	70930052			
TS4-M6	70930050			

## Toolkit

TOOL	QTY.
Strip Clamp	1 pc
Rivet Clamp	1 pc
Plastic Spanner	2 pcs

