



SUNNY TRIPOWER SMART ENERGY

Approved Batteries and Information on Battery Communication Connection

Table of Contents

1	Approved Batteries	3
2	Battery Communication Connection	5
2.1	Cable Requirements	5
2.2	Cabling Plan	5

1 Approved Batteries

In the tables you will find the batteries which are approved for operation with the following hybrid inverters of SMA Solar Technology AG (status: 2022/02):

- STP5.0-3SE-40
- STP6.0-3SE-40
- STP8.0-3SE-40
- STP10.0-3SE-40

i Firmware version of the battery

The firmware version of the BYD batteries can be accessed via the user interface of the battery (see manufacturer's manual).

i Inverter firmware version

The firmware version of the inverter can be accessed via the user interface of the inverter.

Type (Manufacturer)	Firmware version of battery:	Firmware version of inverter:
Battery-Box Premium HVM (11.0-22.1) (BYD Company Limited)	BMU \geq 3.16 BMS \geq 3.24	\geq 1.00.00.R
Battery-Box Premium HVS (5.1-12.8) (BYD Company Limited)	BMU \geq 3.16 BMS \geq 3.24	\geq 1.00.00.R

Synchronizing the battery and hybrid inverter

All batteries mentioned supply a defined nominal current. Please pay attention to the battery manufacturer's recommendation regarding the suitable dimensioning of the battery in order to achieve the nominal and overload currents of the systems stated in the datasheet with a Sunny Tripower Smart Energy. Only if the dimensioning of the battery size is synchronized (battery capacity, battery currents, number of battery modules if necessary), the full functionality and power incl. overload can be guaranteed for the PV storage system with the respective hybrid inverter in use.

Example: Usable power when using the STP10.0-3SE-40 together with Battery-Box Premium HVS

	HVS 5.1	HVS 7.7	HVS 10.2	HVS 12.8
Voltage range of battery	160 V to 230 V	240 V to 345 V	320 V to 460 V	400 V to 576 V
Maximum current	12 A to 25 A	25 A	25 A	25 A
Maximum power	2.4 kW to 5.75 kW	6 kW to 8.6 kW	8 kW to 10.6 kW	10 kW to 10.6 kW

Example: Usable power when using the STP10.0-3SE-40 together with Battery-Box Premium HVM

	HVM 8.3	HVM 11.0	HVM 13.8	HVM 16.6	HVM 19.3	HVM 22.1
Voltage range of battery	Not compatible	160 V to 240 V	200 V to 300 V	240 V to 360 V	280 V to 420 V	320 V to 480 V
Maximum current	Not compatible	12 A to 30 A	25 A to 30 A	30 A	30 A	30 A
Maximum power	Not compatible	2.4 kW to 7.2 kW	6 kW to 9 kW	7.2 kW to 10 kW	8.4 kW to 10 kW	9.6 kW to 10.6 kW

2 Battery Communication Connection

2.1 Cable Requirements

- Twisted pair conductors
- Cable category: minimum CAT5e
- Cable with shielding: Yes
- Conductor cross-section: 0.2 mm² to 1.5 mm²
- External diameter: 5.3 mm to 7 mm
- Maximum cable length: 10 m
- UV-resistant for outdoor use.
- Recommendation: Use a network installation cable with 1-core rigid wire
- Comply with the requirements of the battery manufacturer.

2.2 Cabling Plan

Sunny Tripower Smart Energy with BYD Battery-Box Premium HVM/HVS

The CAN communication cable can be connected either to the RJ45 socket for CAN communication or to the terminal block of the battery.

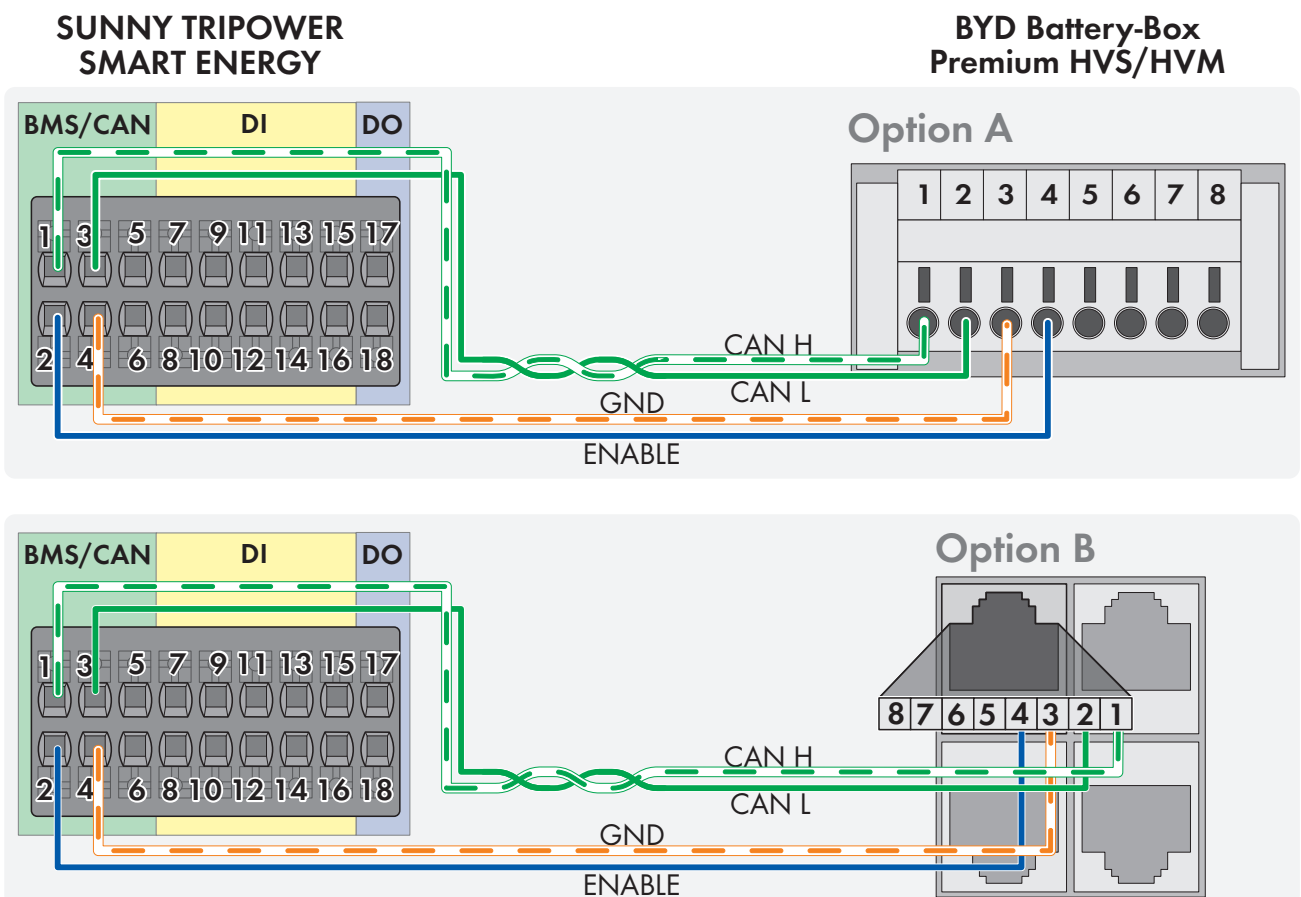


Figure 1: Cabling plan Sunny Tripower Smart Energy with Battery-Box Premium HVM/HVS

Terminal point at inverter	Function	Terminal point at battery
5	Not used	-
2	Enable	4
4	GND	3
3	CAN L (twisted pair conductors, at least CAT5e)	2
1	CAN H (twisted pair conductors, at least CAT5e)	1
6	Shielding	-

ENERGY
THAT
CHANGES



www.SMA-Solar.com

